



QUALITY... PLAIN & SIMPLE®

LED Boot Indicator Installation Instructions

For GM TH350, TH400, TH200, 700-R4, 200-4R, 4L60, 4L60E, 4L80E;
Ford C4, C6, AOD, AODE, 4R70W; Chrysler 727, 518, 904

General Installation Notes:

Please read these instructions completely before beginning the installation. If you have any questions, please call.

Before beginning the installation, disconnect the negative battery cable and use wheel chocks to block the vehicle's wheels. Do not attempt to install this product while the engine is running.

Make sure the engine, transmission, body and frame are properly grounded.

Refer to Fig. 1 for the component names. The Lokar round boot is designed for a maximum tunnel opening of 4" in diameter. The rectangular boot is designed to work with a maximum opening size of 4" x 5-1/4".

The vertical style indicator is designed for the indicator to be on the left side of the shifter. The horizontal style indicator is designed for the indicator to be to the rear of the shifter.

Step 1: Remove the shift knob and jam nut from the shifter lever. Any existing shifter boot and ring should be removed also.

Step 2: Decide where you want the boot ring to be positioned on the transmission tunnel. Temporarily place the boot ring on the tunnel, and make sure that the position of the boot ring will not interfere with the full range of movement of the shifter lever.

Step 3: Determine how you are going to route the indicator wiring harness to the decoder box or control module. The wiring may be routed underneath the carpet or a console, or you may route it into the tunnel underneath the vehicle.

Step 4: Mark the locations of the screw holes in the boot ring onto your transmission tunnel. If routing the indicator wiring harness into the tunnel underneath the vehicle, also mark the location of the hole for the wiring harness. Remove the boot ring, center punch the marks, and drill the screw holes using a 1/8" drill bit.

LED Boot Indicator Installation Instructions

For GM TH350, TH400, TH200, 700-R4, 200-4R, 4L60, 4L60E, 4L80E;
Ford C4, C6, AOD, AODE, 4R70W; Chrysler 727, 518, 904

Building American Quality... With A Lifetime Warranty!®

TOLL FREE 1-877-469-7440 • tech@lokar.com • www.lokar.com

Step 4 continued:

If you are routing the indicator wiring harness into the tunnel, you will need to protect the harness with a grommet (not included) where it passes through the sheet metal. Measure the grommet, and drill an appropriate-sized hole for the grommet in the tunnel.

Step 5:

Install the shifter boot onto the shifter lever. On a rectangular shifter boot, make sure the seams in the shifter boot match up to the corners of the boot ring. Note that the shifter boot has long and short sides, just like the boot ring. On a round shifter boot, make sure the seams are oriented where you want them.

Step 6:

Decide how high you want the top of the shifter boot to be on your shifter lever. Lokar shifter boots are designed to fit a wide range of shifter lengths, and may be trimmed to a shorter length if necessary.

Step 7:

Install the boot ring over the shifter lever and shifter boot. Turn up the bottom edge of the shifter boot, stretching and flipping the bottom edge of the shifter boot inside out so it wraps around the outside edge of the boot ring. **Fig. 2** Get the boot ring positioned correctly against the top of the tunnel.

Step 8: At this point, we recommend that you remove the boot ring and apply spray adhesive or contact cement to the underside of the boot ring, but it is not required.

Cut a slit in the boot for the indicator wiring harness to fit through. If you removed the boot ring to apply adhesive, reinstall the boot ring onto the shifter boot. Install the provided #8 x 1" boot ring screws through the boot ring, the shifter boot, and into the tunnel.

Step 9: If there is excess boot material protruding outside of the boot ring, use a sharp knife to remove it.

Install the shifter knob following the instructions provided with the knob.

See **Fig. 3** for examples of completed installations.

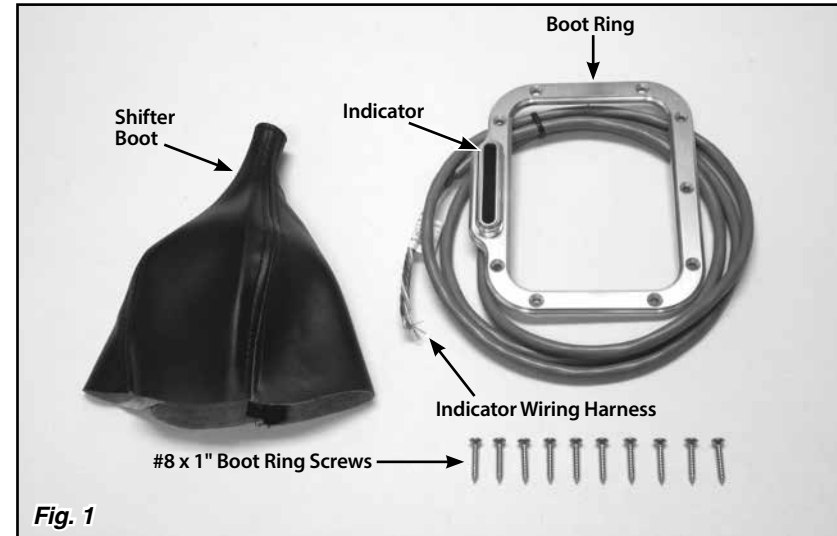


Fig. 1

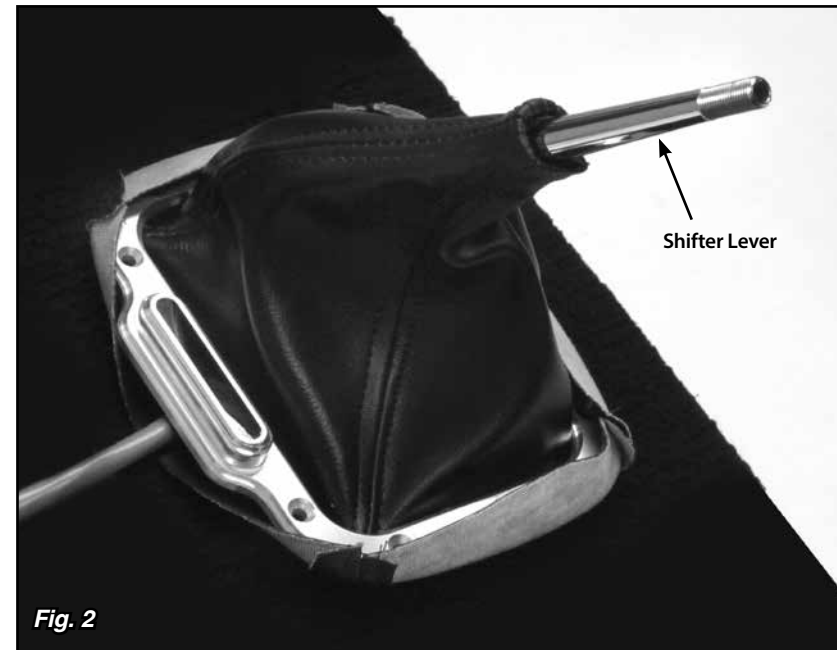


Fig. 2



Fig. 3

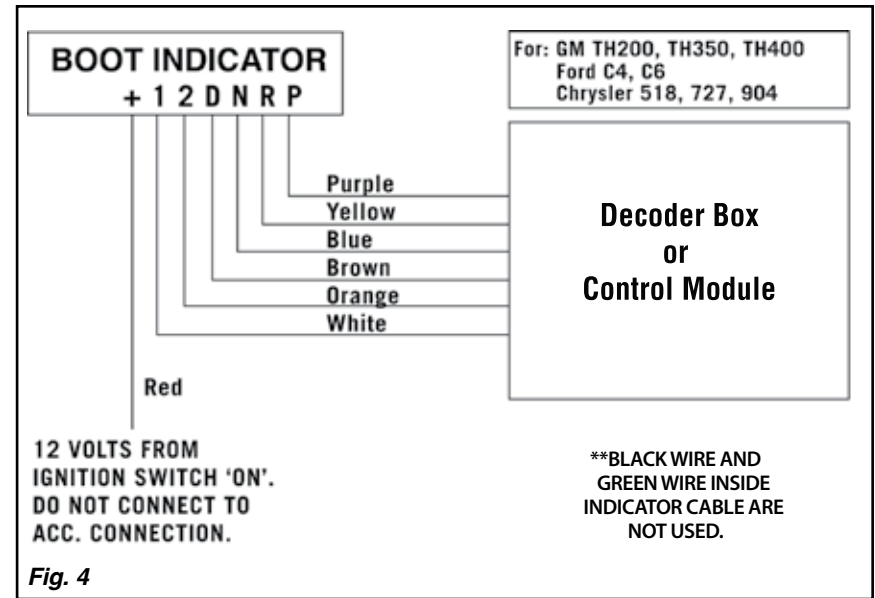


Fig. 4

Step 10: Use the appropriate transmission wiring diagram to connect the indicator wiring harness to the decoder box or control module. *Fig. 4, Fig. 5, or Fig. 6* Make sure the wires are not routed next to any sharp edges.

NOTE: If you shorten the indicator wiring harness, you will find a black wire in the harness that is not used. Applications with three forward gear positions will also find a green wire in the harness that will not be used.

The indicator will light up the gear that is selected, and all other gear positions will be out. *Fig. 3* If using a Lokar cable operated sensor, the decoder box must be programmed before the indicator will work correctly. The current shifter lever position is displayed only after the wiring is connected, the decoder box is programmed, and the ignition key is turned on. See the instructions that came with the cable operated sensor kit.

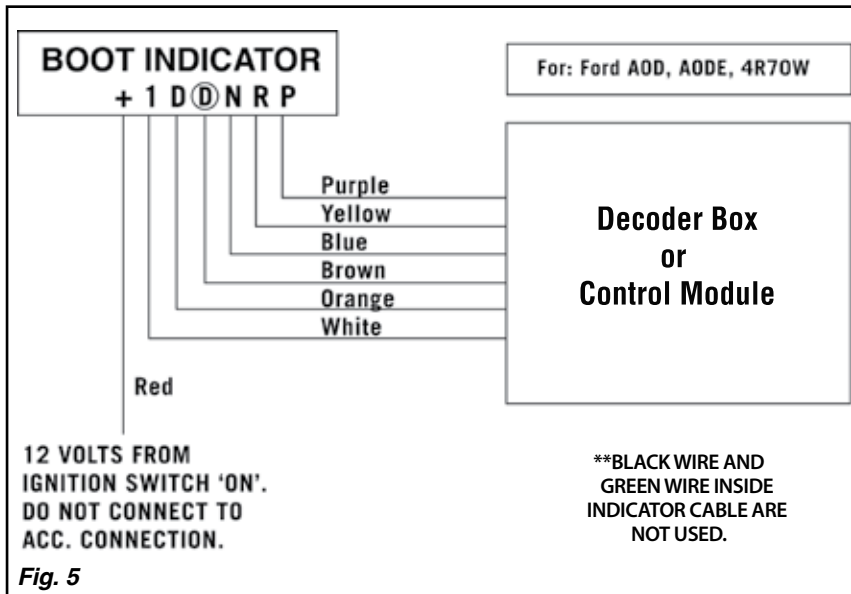


Fig. 5

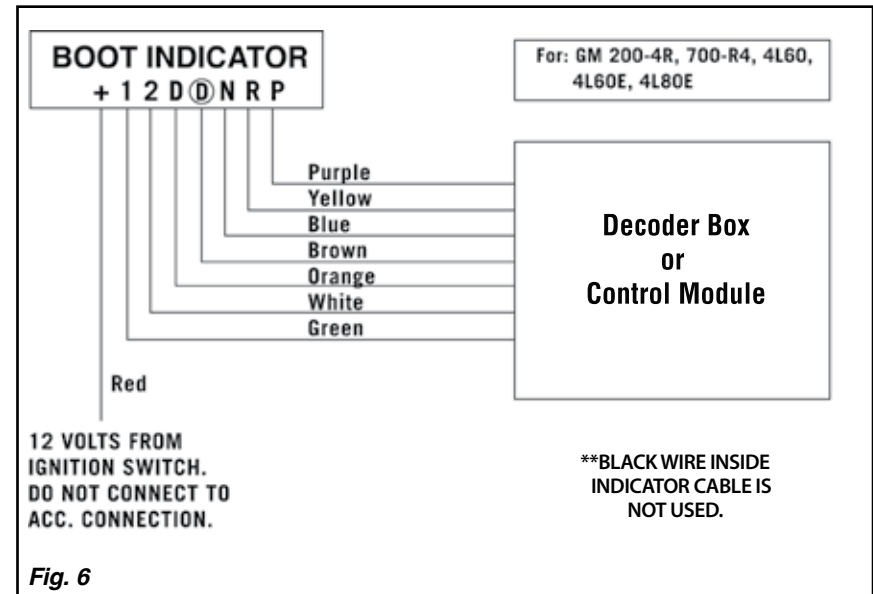


Fig. 6