



QUALITY... PLAIN & SIMPLE®

Throttle & Kickdown Bracket for Barry Grant Six Shooter (SBC) Installation Instructions

Building American Quality... With A Lifetime Warranty!®

TOLL FREE 1-877-469-7440 • tech@lokar.com • www.lokar.com

Throttle & Kickdown Bracket for Barry Grant Six Shooter (SBC) Installation Instructions

General Installation Notes:

Please read these instructions completely before beginning the installation. If you have any questions please call.

Before beginning the installation, disconnect the negative battery cable and use wheel chocks to block the vehicle's wheels.

Make sure the engine, transmission, body and frame are properly grounded. We recommend using anti-seize lubricant on all aluminum threads.

Refer to Fig. 1 for the component names.

Step 1: Install a #10-32 x 1-1/4" socket head bolt into one end of the long linkage rod (not included, supplied with the carburetors). Then, install a spacer onto the bolt, with the tapered part towards the long linkage rod. Next, thread an aluminum block onto the bolt, with the flat side of the aluminum block towards the spacer and with the bolt going into the thicker part of the aluminum block.

Using the same procedure as above, install the second bolt, spacer and aluminum block onto the opposite end of the long linkage rod. Make sure that both of the bolts are tightened into the aluminum blocks.

Connect the long linkage rod to the bottom inside of the throttle arms on the front and rear carburetors using the #10-32 x 1/2" button head bolts. We recommend putting a drop of thread locking compound on each of the button head bolts. **Fig. 2**

Step 2: Remove the rear carburetor mounting nuts from the rear carburetor. Remove those two studs from the intake manifold. Install the bracket onto the rear carburetor using the 5/16"-18 x 1-1/4" socket head bolts. **Fig. 3**

Step 3: Install the provided 1/4" x 3/8" shoulder bolt into the slotted rod end of the short progressive linkage rod (not included, supplied with the carburetors). Then, place two #10 washers onto the shoulder bolt, and install the shoulder bolt into the threaded hole in the throttle arm on the front carburetor. The washers go between the carburetor throttle arm and the slotted rod end to prevent interference between the rod end and linkage arm at wide open throttle. **Fig. 4**

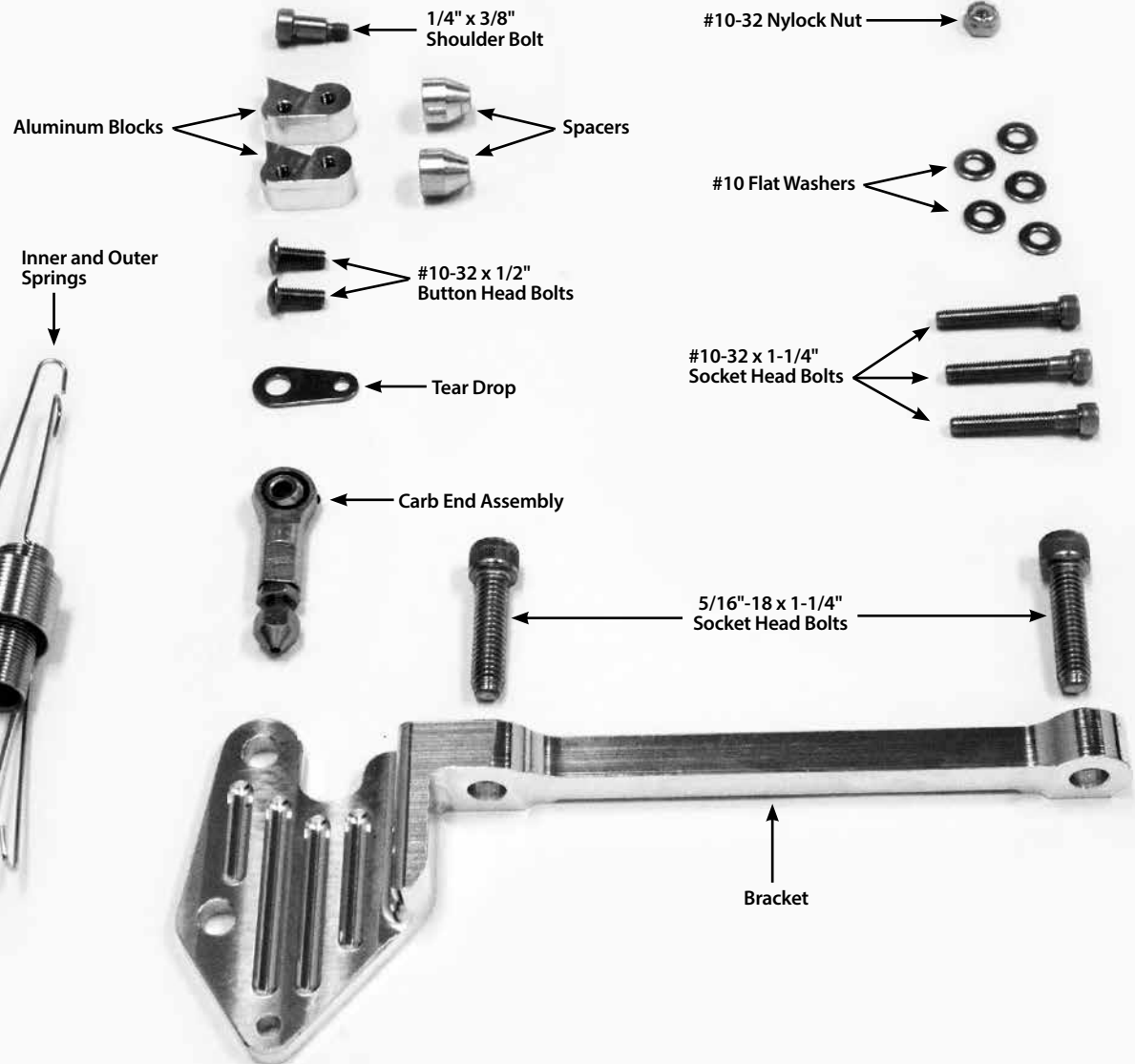
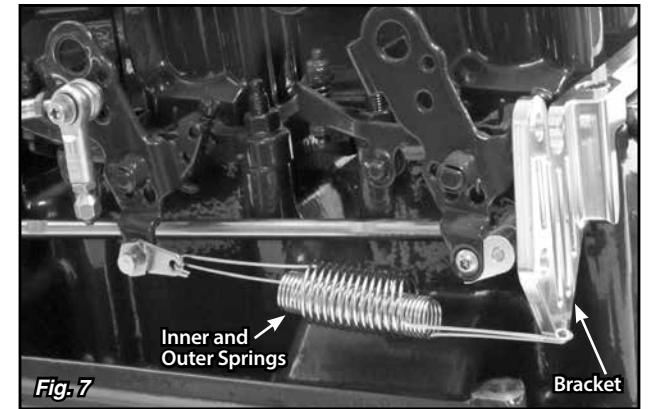
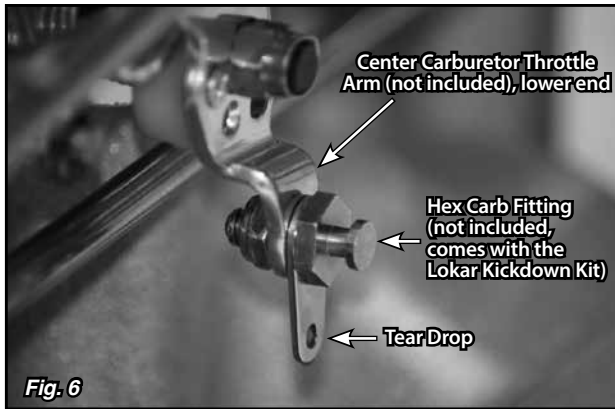
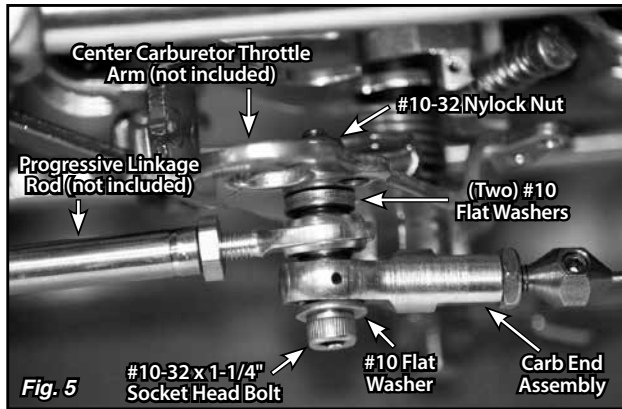
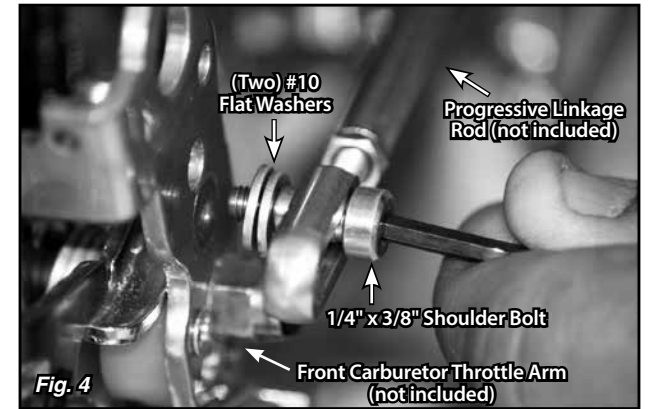
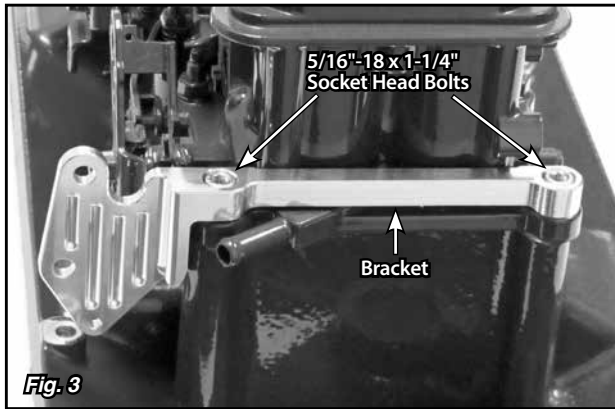
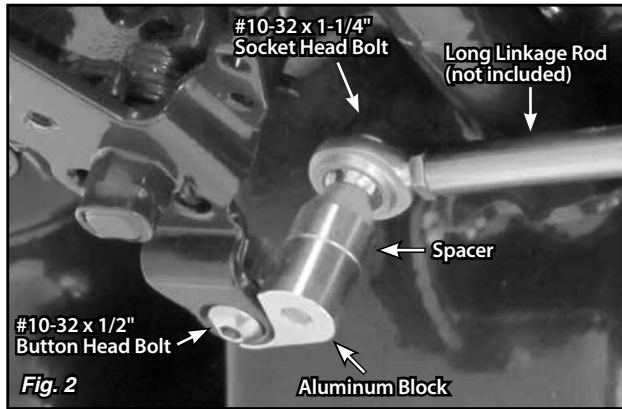


Fig. 1

Throttle & Kickdown Bracket for Barry Grant Six Shooter (SBC) Installation Instructions



Step 4: Install a #10 flat washer onto the remaining #10-32 x 1-1/4" socket head bolt. Slide the carb end assembly onto the bolt. Then, put the bolt through the other rod end on the progressive linkage rod, and place the two remaining #10 flat washers on the bolt. Connect the bolt to the throttle arm on the center carburetor and install the #10-32 nylock nut. The progressive linkage rod will be pointing slightly downward in the front when mounted. **Fig. 5**

Step 5: The tear drop will be installed at the bottom of the throttle arm on the center carburetor. Slide the tear drop onto the hex carb fitting (not included, comes with the Lokar Kickdown Kit).

Note: If a kickdown cable is not being used, use a 1/4"-28 bolt and nylock nut (not included) instead of the hex carb fitting.

The tear drop should be installed on the outside of the carburetor throttle arm. Install the nylock nut onto the hex carb fitting (or bolt if no kickdown cable). Tighten the nylock nut, and then, back off the nylock nut just enough so that the tear drop will swing free. **Fig. 6**

Step 6: Install the inner and outer springs. Insert the small diameter spring inside the larger spring. One end of each spring attaches to the tear drop on the center carburetor. The other end attaches to the small hole in the bottom of the aluminum bracket. **Fig. 7**

Step 7: Install the Throttle Cable and Kickdown Kit (if applicable). This bracket is designed to work with Lokar's Throttle Cables and Kickdown Kits. Refer to the installation instructions that came with those parts. **Fig. 8**

