



QUALITY... PLAIN & SIMPLE®

Powerglide Automatic Floor Mount Shifter Installation Instructions

General Installation Notes:

Please read these instructions completely before beginning the installation. If you have any questions, please call.

Before beginning the installation, disconnect the negative battery cable and use wheel chocks to block the vehicle's wheels.

Make sure the engine, transmission, body and frame are properly grounded.

Refer to Fig. 1 for the component names.

Refer to the included "Shifter Mounting Bracket Installation Instructions" and install the mounting bracket before proceeding with these instructions.

Tools and Materials Required:

- Standard Allen wrenches: 1/8", 5/32", 3/16", 7/32"
- Wrench or Socket Sizes: 5/16", 3/8", 7/16", 1/2", 9/16", 5/8", 7/8"
- Tape Measure
- Metal cutting tool, such as a hacksaw or a die grinder with a cut-off wheel
- Ohmmeter
- Drill and 5/16" drill bit
- Wire cutters/strippers
- Wire crimping or soldering tools
- Automatic transmission fluid and a transmission filter and pan gasket
- Blue thread locking compound
- A new selector shaft seal is recommended

Lokar Shifters are designed to fit specific transmissions. Before you begin the installation, verify that you have the proper model for your transmission. If your Shifter does not seem to fit properly, do not make modifications during installation as this may void your warranty. Call for assistance.

Verify that the length of the Shifter you have purchased is what you actually want. When installed, the bottom of the shifter lever will be approximately 3-1/2" - 4" above the bottom of the floor mount mounting bracket. From that point up to the top of the knob is how the shifter length is determined.

The Lokar Floor Mount Shifter is designed to be installed to the rear of the transmission selector shaft. The Shifter must be installed into the vehicle before attempting to make any adjustments.

The shifter lever is designed to lock in Park and in Neutral. You must depress the release button in the top of the shifter knob in order to shift out of Park or Neutral. The release button will only be flush with the top of the shifter knob when the shifter lever is in Park or Neutral.

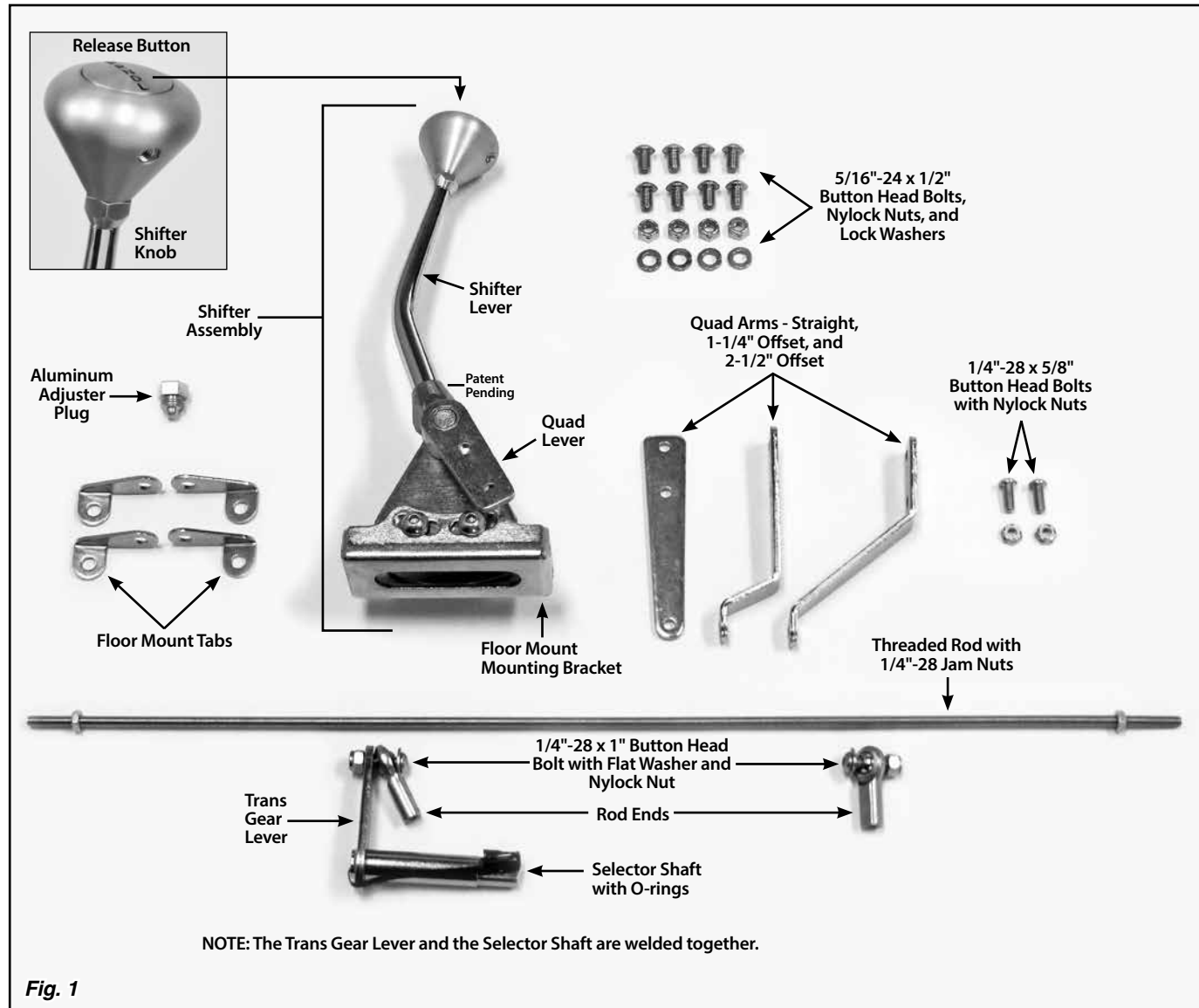
To shift from Park directly to Drive, depress the release button and then hold it down while moving the shifter lever, and the shifter lever will automatically stop in the Drive position. Once you release the button, the shifter lever can be moved into low gear.

Powerglide Automatic Floor Mount Shifter Installation Instructions

14 Bolts
Aluminum
Case
PG

Building American Quality... With A Lifetime Warranty!®

TOLL FREE 1-877-469-7440 • tech@lokar.com • www.lokar.com



NOTE: The Trans Gear Lever and the Selector Shaft are welded together.

Fig. 1

Step 1: If your vehicle already has a shifter of any type installed, disconnect all shifter linkage and remove the shifter and its related hardware (neutral safety switch, back-up light switch, etc.).

Step 2: The first step is to replace the original selector shaft with the one that is supplied with the new Lokar Shifter. If you are not comfortable performing this procedure, please consult a professional. A factory service manual may be helpful.

Drain the transmission fluid and remove the transmission pan and fluid filter.

Step 3: Remove the two 5/16" bolts from the selector guide plate, and remove the selector guide plate. **Fig. 2**

Step 4: Loosen the bolt on the throttle valve shaft clamp, but do not remove the bolt. Slide the throttle valve shaft out of the transmission and remove the throttle valve shaft clamp. **Fig. 3 and Fig. 4**

Step 5: Remove the detent spring. **Fig. 5** Loosen the bolt on the selector shaft clamp, but do not remove the bolt. Slide the selector shaft out of the transmission and remove the selector shaft clamp. **Fig. 6 and Fig. 7**

Step 6: Remove the twist tie and O-rings from the new selector shaft and set the O-rings aside. Check the fit of the detent plate to the new selector shaft. **Fig. 8** The original selector shaft had a small section of splines, and the new selector shaft has a flat machined in it instead.

Step 7: We recommend that you replace the selector shaft seal (not included) while you have the selector shaft out of the transmission. Install the new selector shaft and your original selector shaft clamp, and tighten the bolt on the selector shaft clamp. If installed correctly, the lever will be pointing up and slightly toward the rear of the transmission.

Reinstall the detent spring.

Step 8: Lubricate the new O-rings with clean automatic transmission fluid, and install them onto the throttle valve shaft. Install the throttle valve and throttle valve clamp, and tighten the bolt on the throttle valve clamp.

Step 9: Install the original selector guide plate and two original 5/16" bolts. Install a new fluid filter and pan gasket, and reinstall the pan. Fill the transmission with the recommended amount of fluid.

Step 10: Determine exactly where you want the Shifter to be located. The Shifter may be mounted either on top of the floor or underneath the floor.

NOTE: For vehicles that had a floor shifter previously, determine if the existing hole(s) in the floor will be adequate for mounting and operation of the Lokar Shifter. If not, the floor will need to be modified.

If you are mounting the Shifter on top of the floor, you will need a slot in the floor for the quad arm to pass through. If you are mounting the Shifter underneath the floor, the opening will need to be large enough for the floor mount mounting bracket also.

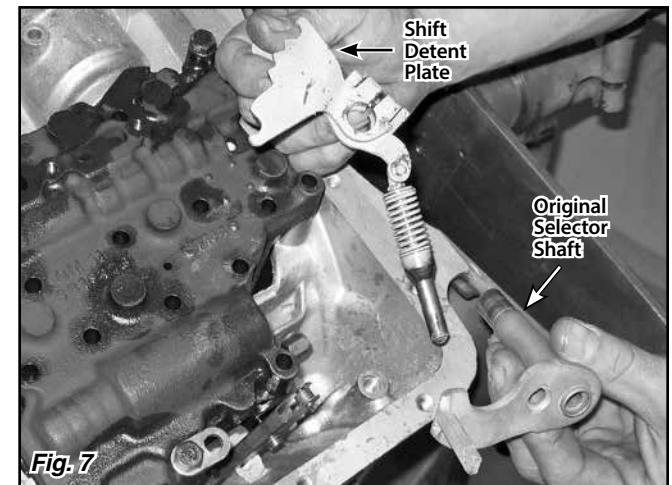
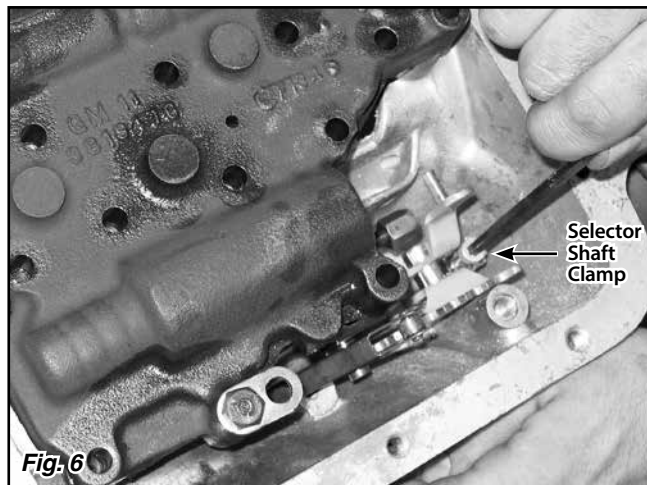
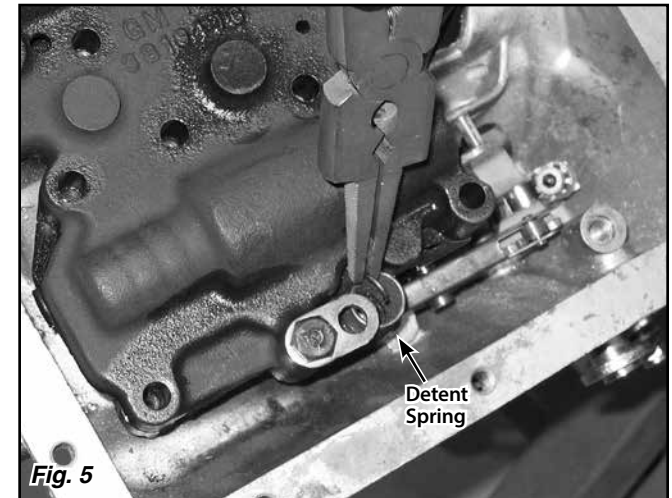
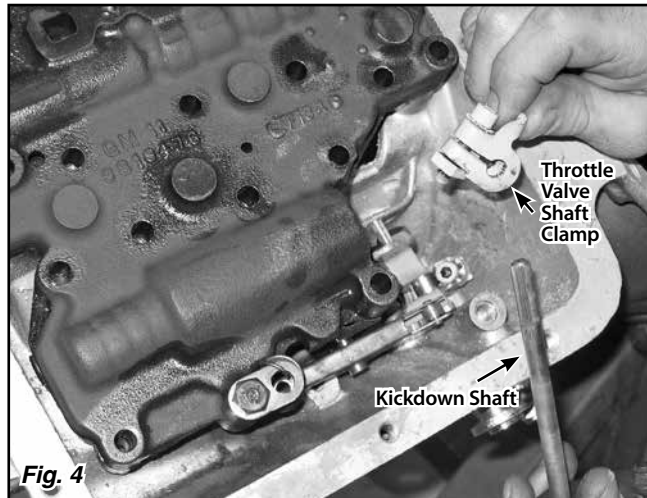
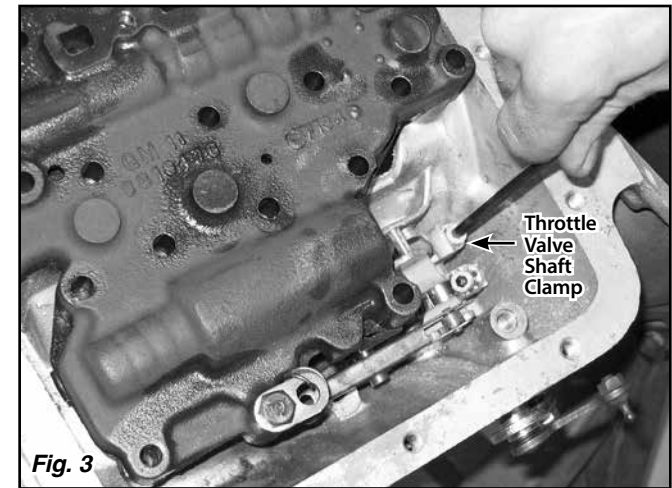
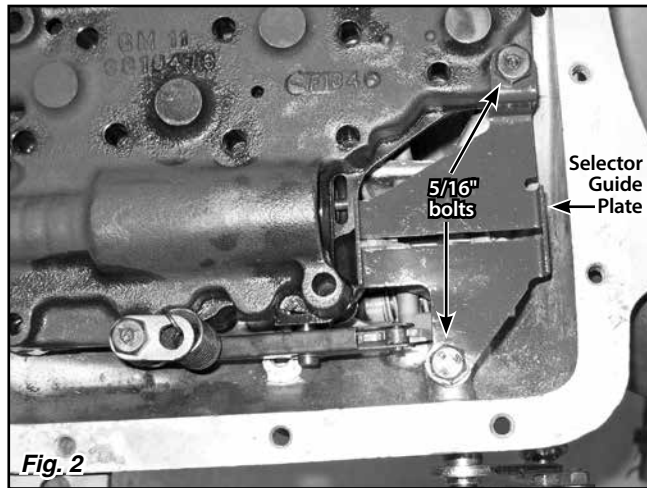
There are three different quad arms to choose from: straight, 1-1/4" offset or 2-1/2" offset. Choose the quad arm that aligns most closely to the trans gear lever on the transmission. It is not necessary that the quad arm be perfectly aligned with the trans gear lever. The rod ends allow for a certain amount of misalignment.

Be aware that the quad arm you choose will affect the size and location of the slot that will need to be cut in the floor. The combination of the mounting position you choose (above or below the floor) and which quad arm you choose may prevent you from being able to use a Lokar Boot Ring.

Step 11: There are two pairs of floor mount tabs in the Shifter Kit. Which pair goes where will depend on if you are mounting the Shifter above or below the floor. See **Fig. 9** to determine how the floor mount tabs need to be positioned for your particular application.

The floor mount tabs on the rear of the Shifter must be installed with the ears pointing towards the rear of the vehicle. If you are using a rectangular Lokar Shifter Boot and Ring mounted directly to the floor, the floor mount tabs on the front of the Shifter must also be installed pointing towards the rear of the vehicle. If you are not using a rectangular Lokar Shifter Boot and Ring, you may install the front floor mount tabs facing either direction.

Attach the floor mount tabs to the floor mount mounting bracket as shown in **Fig. 9** with the 5/16"-24 x 1/2" button head bolts and lock washers. Leave the bolts loose enough so that adjustments can be made later during the installation.



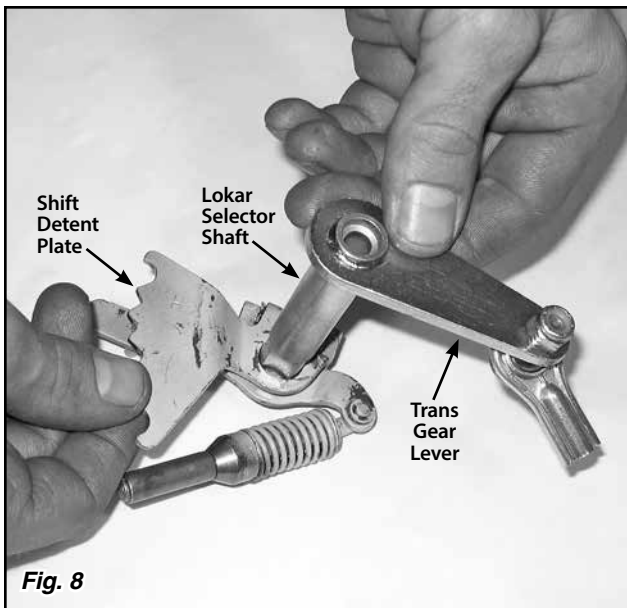


Fig. 8

Step 12: Make sure the two 5/16"-24 x 3/8" button head bolts and lock washers that are in the curved, slotted holes in the driver side of the floor mount mounting bracket are tight. **Fig. 10** Place the Shifter in the desired location on the vehicle's floor. Make sure the shifter lever will not interfere with the dash when in Park, or with the seat when in low gear. The shifter assembly may be tilted forward or backward if needed by loosening the two 5/16"-24 x 3/8" button head bolts and lock washers that are in the curved, slotted holes in the driver side of the floor mount mounting bracket. Retighten the button head bolts and lock washers in the curved, slotted holes once you have the shifter assembly at the angle you want.

If you ever disassemble the shifter assembly, be sure that the 5/16"-24 x 3/8" button head bolts and lock washers are put back into the curved, slotted holes in the floor mount mounting bracket. Installing longer bolts will prevent the shifter from operating.

NOTE: If you find after installation that the shape or length of the shifter lever is not suitable for your application, Lokar has a number of different styles and lengths of Shifter Lever Replacement Kits available for purchase separately through our dealer network.

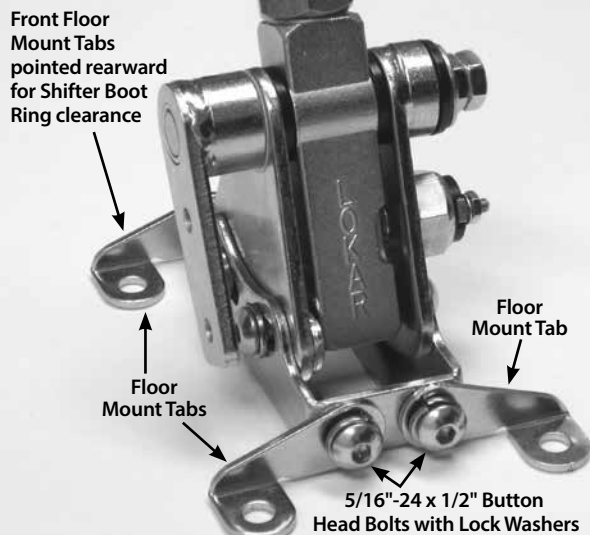
Step 13: Determine the size and location of any opening(s) that need to be cut in the floor in order to mount the shifter assembly and allow full travel of the quad arm you are going to use. It may be useful to temporarily mount the quad arm to the quad lever and move the shifter lever through its full range of motion, in order to help determine where the cuts need to be made.

Cut those openings now.

Step 14: Place the shifter assembly in position on the vehicle. Push the floor mount tabs flush against the floor, and mark the center of the bolt holes in the floor mount tabs onto the floor. Center punch the marks, and drill four 5/16" diameter holes.

Step 15: Attach the floor mount tabs to the floor using four 5/16"-24 x 1/2" button head bolts and nylock jam nuts. Once the shifter assembly is mounted to the floor, tighten the floor mount tab to floor mount mounting bracket bolts.

Above Floor Installation



Below Floor Installation

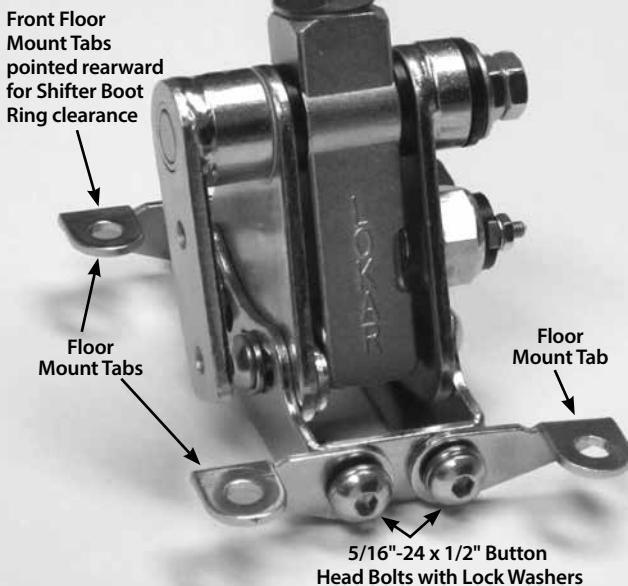


Fig. 9

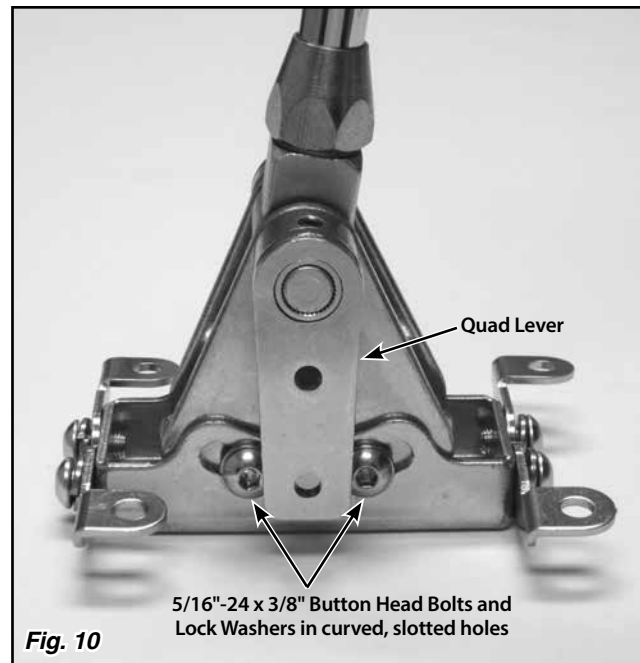


Fig. 10

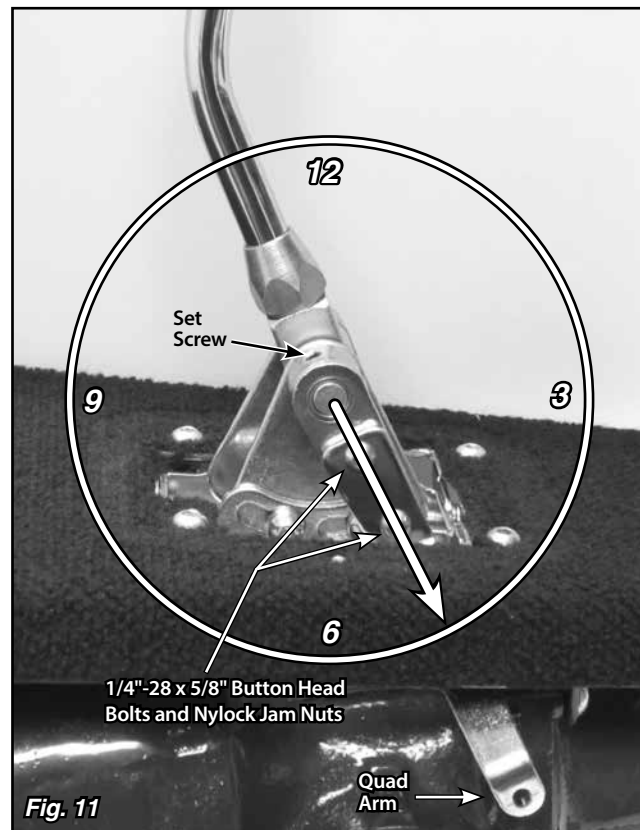


Fig. 11

Step 16: Make sure the shifter lever is in the Park position. Position the quad arm in place on the quad lever with the bolt holes aligned. Check for interference with the driver side rear floor mount tab or the vehicle floor. With the shifter lever in Park, you want the quad arm to be as close to the 4:30 – 5:00 position as the floor mount tab will allow, without the quad arm touching the floor mount tab or floor.

If the quad arm is not in the proper position, loosen the set screw in the top of the quad lever with a 1/8" Allen wrench and slide the quad lever off of the shaft. The shifter assembly may have to be removed to do this, depending on how large the opening is in the tunnel. Reposition the quad lever on the shaft as close to 4:30 – 5:00 as the floor mount tab allows, and retighten the set screw.

Install the quad arm onto the quad lever using the two 1/4"-28 x 5/8" button head bolts and nylock jam nuts. **Fig. 11**

Step 17: Remove the rod end from the new trans gear lever. Place the trans gear lever in the Park position. The top of the trans gear lever should be pointing up and slightly towards the rear of the transmission, at about the 1:00 position. **Fig. 12**

Step 18: The threaded rod will connect the quad arm to the trans gear lever. Check to make sure that nothing will interfere with the travel of the threaded rod.

If there is any interference, the threaded rod can be bent slightly as needed.

Verify that both the shifter lever and the transmission are in the Park position. Measure center-to-center between the 1/4" holes in the trans gear lever on the transmission and the quad arm on the Shifter. **Fig. 13** This is the length you will cut the threaded rod to. Use a hacksaw or cutoff wheel to shorten the threaded rod.

Step 19: Make sure that two 1/4"-28 jam nuts are installed on the threaded rod, one at each end. Install a rod end onto each end of the threaded rod. Position the rod ends on the inside or outside of the quad arm and trans gear lever so that the threaded rod is as straight as possible. Attach the threaded rod assembly to the quad arm and trans gear lever using the 1/4"-28 x 1" button head bolts, flat washers, and nylock nuts as shown in **Fig. 14**. The button head bolts can be installed from either direction, but make sure the rod ends are sandwiched between the flat washers and the quad arm or trans gear lever. **Fig. 15**

Step 20: Check the adjustment of the shifter linkage by placing the shifter lever all the way forward into the Park position. Make sure that the release button still moves up and down freely. The release button should be flush with the knob in Park and Neutral. In the Reverse position, you cannot pull the lever back into Neutral without depressing the release button.

While the shifter lever is in the Park position, make sure the transmission is firmly in the "Park" detent, with no tension on the threaded rod. You can verify this by removing the 1/4"-28 x 1" button head bolt with nylock nut that attaches the rod end to the quad arm or trans gear lever at either end of the threaded rod. Make sure the hole in the rod end exactly aligns with the hole in the quad arm or trans gear lever. The bolt should pass freely through both holes at the same time without binding. Do not force the holes to line up.

If the holes are not aligned, screw the rod end in or out just enough to be able to slide the bolt in and out without putting tension on the threaded rod. Make sure that the quad arm and trans gear lever do not move during the adjustment procedure. Use this adjustment routine until the bolt will pass freely in and out of both the rod end and the quad arm or trans gear lever. Reinstall the 1/4"-28 nylock nut and the flat washer in its proper position onto the bolt, and tighten.

Once you have the shifter linkage adjusted correctly, tighten the jam nuts on the threaded rod.

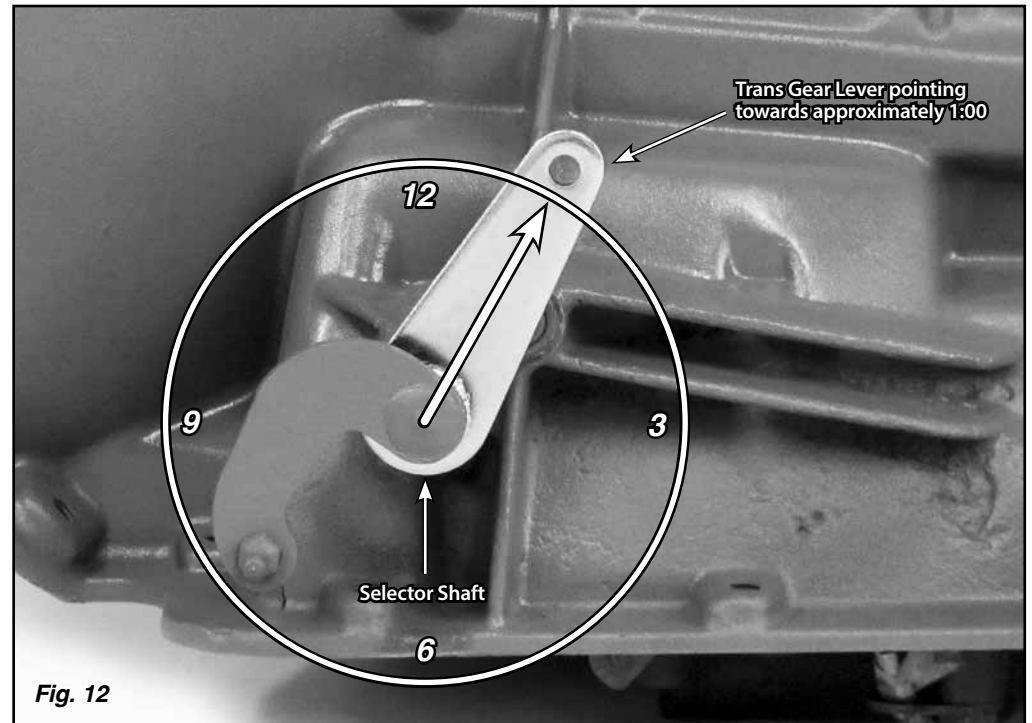


Fig. 12

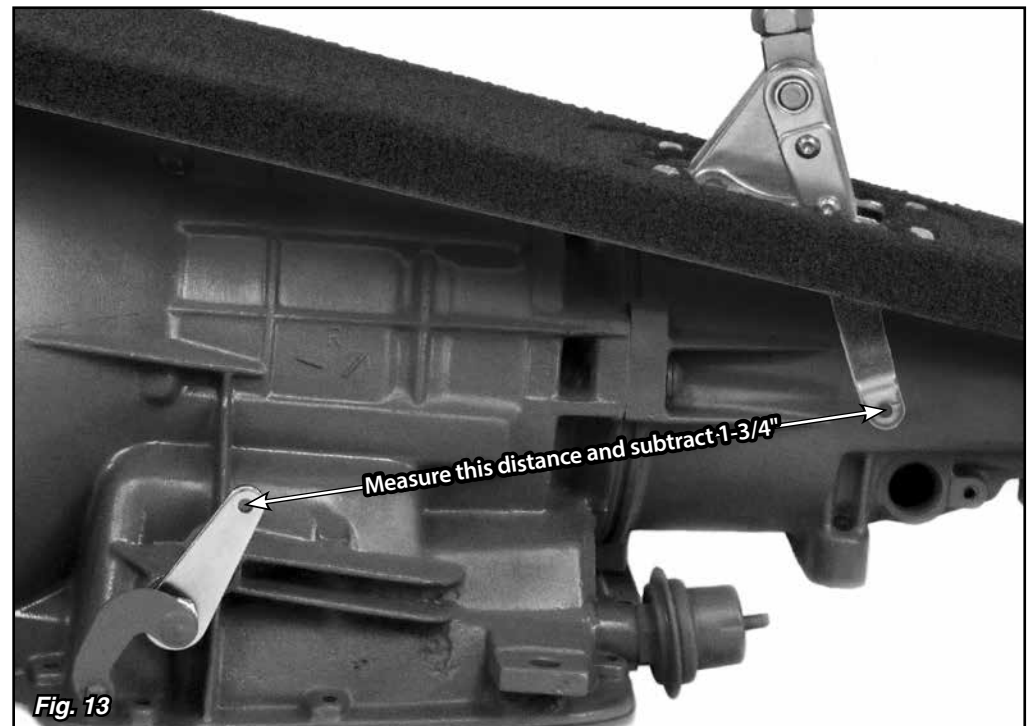
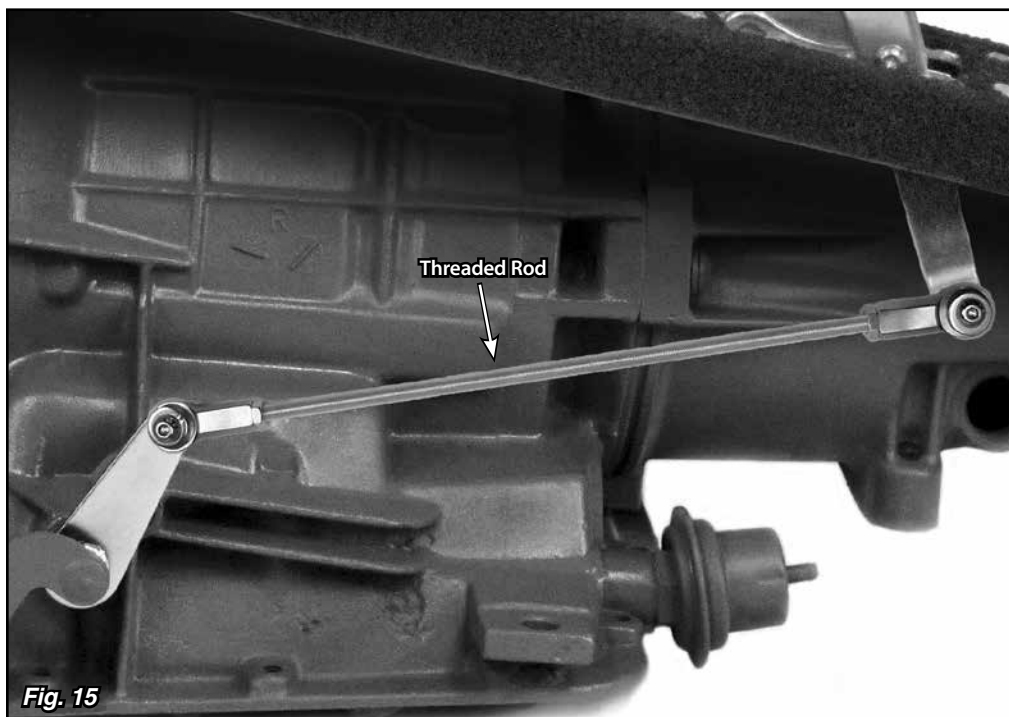
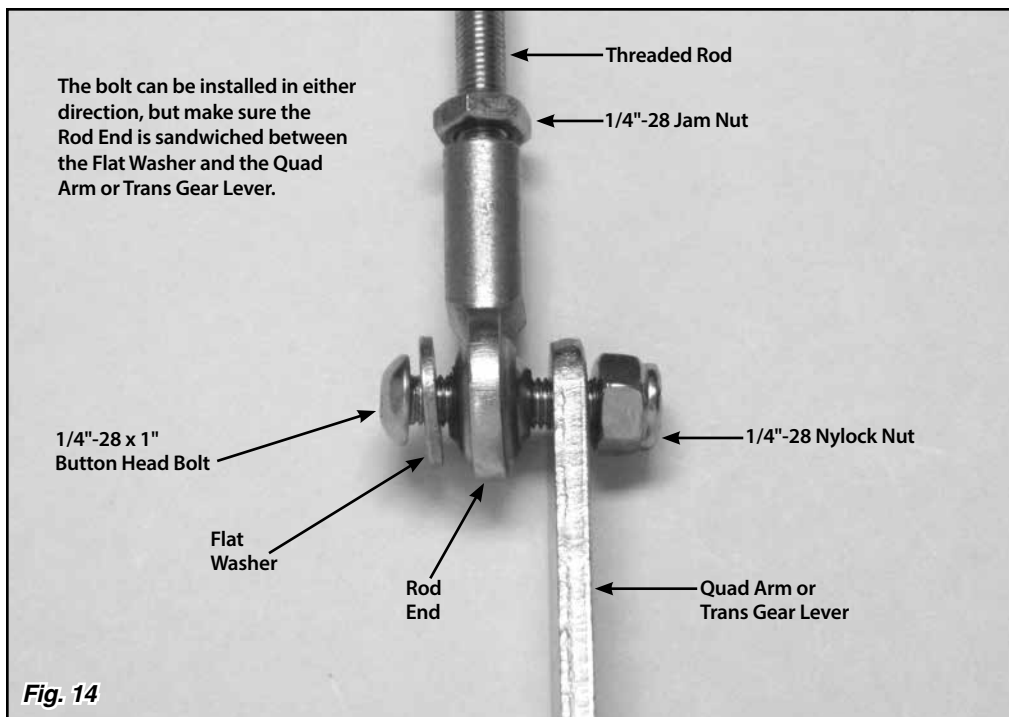


Fig. 13



Neutral Safety Switch Adjustment and Wiring

Step 21: For the neutral safety switch to function properly, the shifter linkage must be adjusted correctly. Do not attempt to adjust the neutral safety switch unless you have completed **Step 20**.

The Lokar Neutral Safety Switch is a simple on/off, non-directional switch. The switch passes current (turns on) when the ball is pushed in. It does not pass current (turns off) when the ball is out at its at-rest position.

Double check to make sure that the bolts in the curved, slotted holes on the driver side of the floor mount mounting bracket are tight.

Step 22: Remove the neutral safety switch and washer (**Fig. 16**) from the passenger side of the Shifter using a 7/8" wrench or socket.

Step 23: Loosen, but do not remove, the two 5/16"-24 x 3/8" button head bolts and lock washers that attach the passenger side of the floor mount mounting bracket to the switch plate (the bolts are in curved, slotted holes). **Fig. 16**

WARNING: Before taking the shifter lever out of Park, be sure that the vehicle's tires are blocked and the parking brake is set to avoid movement of the vehicle.

Step 24: Put the shifter into the Reverse position. Reposition the switch plate so that the hole in the switch plate lines up with the center groove in the shifter body. **Fig. 17** Screw the provided aluminum adjuster plug into the neutral safety switch opening. Wiggling the switch plate slightly forward and back while you are screwing the aluminum adjuster plug in will help get the shifter body centered on the adjuster plug. **Fig. 18**

Step 25: Retighten the two 5/16"-24 x 3/8" button head bolts and lock washers that attach the passenger side of the floor mount mounting bracket to the switch plate.

Step 26: Remove the aluminum adjuster plug, and reinstall the neutral safety switch and washer onto the shifter. Test for continuity by connecting an ohmmeter lead to each stud on the neutral safety switch. When adjusted correctly, you will only have continuity between the two switch studs when the shifter is in Park or Neutral. Continuity in any other gear requires readjustment of the neutral safety switch or the shifter linkage.

Step 27: Connect the neutral safety switch between your ignition switch and starter circuits. Check the wiring of your fuse panel:

- **If there are (2) connections for a neutral safety switch**, run a #12 (or heavier) stranded wire from these terminals in your fuse panel to the (2) terminals on the neutral safety switch. That completes the Neutral Safety Switch wiring.
- **If your fuse panel does not have neutral safety switch connections**, locate the wire going from the ignition switch to the starter. If GM color codes are used, this wire will usually be purple. After locating the wire, disconnect it from the starter. It must be cut and routed from the ignition switch to one of the neutral safety switch terminals, and from the other neutral safety switch terminal to the same stud on the starter where the original wire was removed. If the wire must be lengthened, be sure to use wire that is at least the same size or larger than the original.

Step 28: Reconnect the negative battery cable and check operation. Make sure that the engine will not start in reverse or a drive gear. If it does, follow the neutral safety switch adjustment procedure again. If your car should ever start in any gear other than Park or Neutral, please readjust the neutral safety switch accordingly. Tighten all brackets and bolts correctly and securely and there should be no movement or maladjustment. If you have any questions after following this procedure, please call Lokar Technical Support.

Step 29: Once the installation is completely finished and the neutral safety switch is adjusted, remove each of the 5/16"-24 x 3/8" button head bolts and lock washers from the curved, slotted holes in the floor mount mounting bracket one at a time, apply blue thread locking compound to the threads, and reinstall.

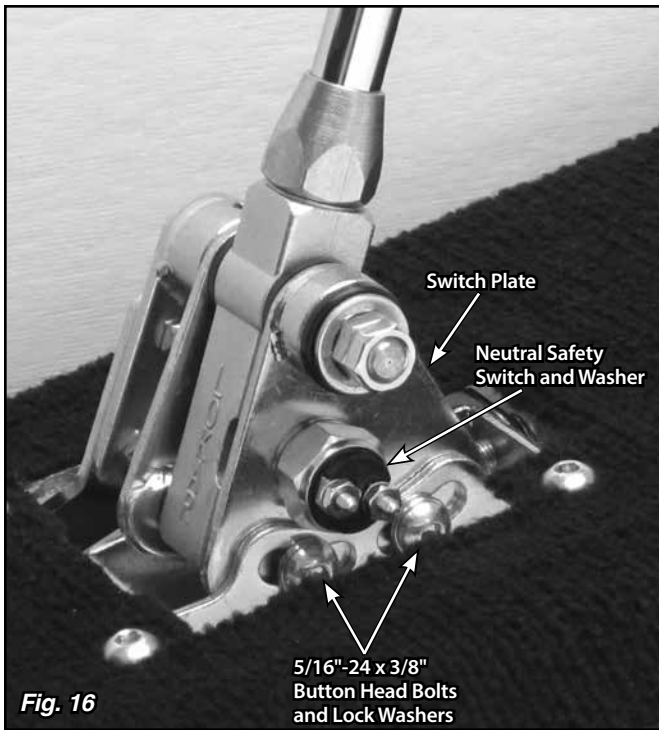


Fig. 16

5/16"-24 x 3/8"
Button Head Bolts
and Lock Washers

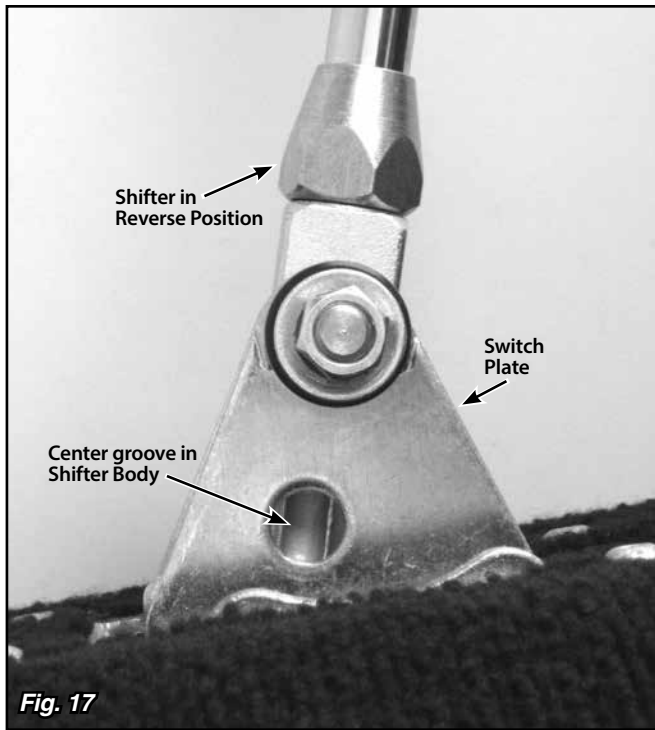


Fig. 17

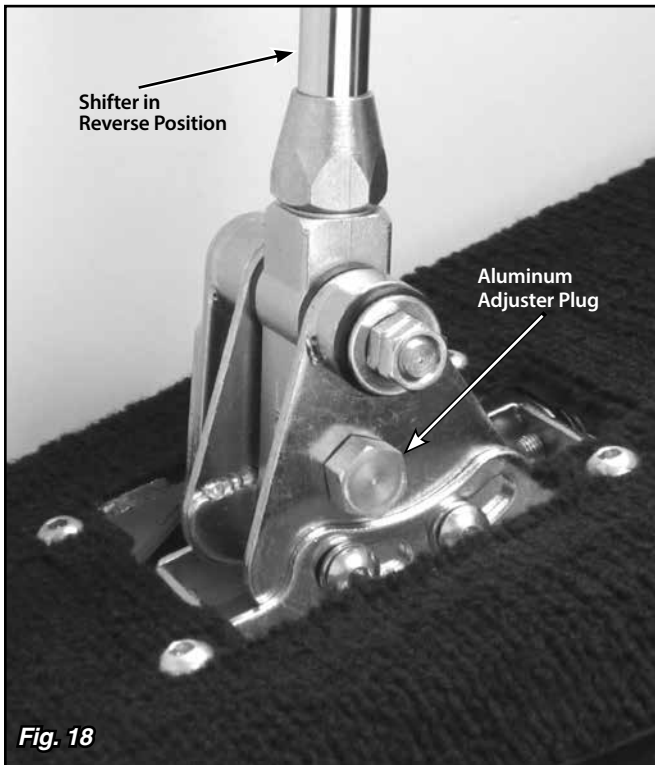


Fig. 18

Lokar Shifter Knob Removal Instructions (For Shifters Manufactured 1995 and Later)

For Shifters manufactured 1994 and earlier, please contact Lokar for assistance.

To Remove Shifter Knob:

- Step 1:** Make sure the Shifter is all the way forward in the Park position.
- Step 2:** Loosen the jam nut below the shifter knob (turn the nut CLOCKWISE to loosen it). **DO NOT** loosen or remove the set screw that is in the knob. **Fig. 19**
- Step 3:** Turn the shifter knob counter-clockwise to remove.

To Install Shifter Knob:

- Step 1:** Make sure the jam nut is still in place on the shifter lever.
- Step 2:** Screw the shifter knob onto the shifter lever until the release button comes up flush with the top of the shifter knob.
- Step 3:** Tighten the jam nut up against the bottom of the shifter knob.
- Step 4:** Check to make sure that depressing the release button allows the shifter lever to be moved, and that the shifter lever still locks in Park and Neutral. If the shifter will not come out of "PARK" with the release button fully depressed, tighten the knob one turn and check it again. If the shifter does not lock in "PARK", loosen the knob one turn and check it again.

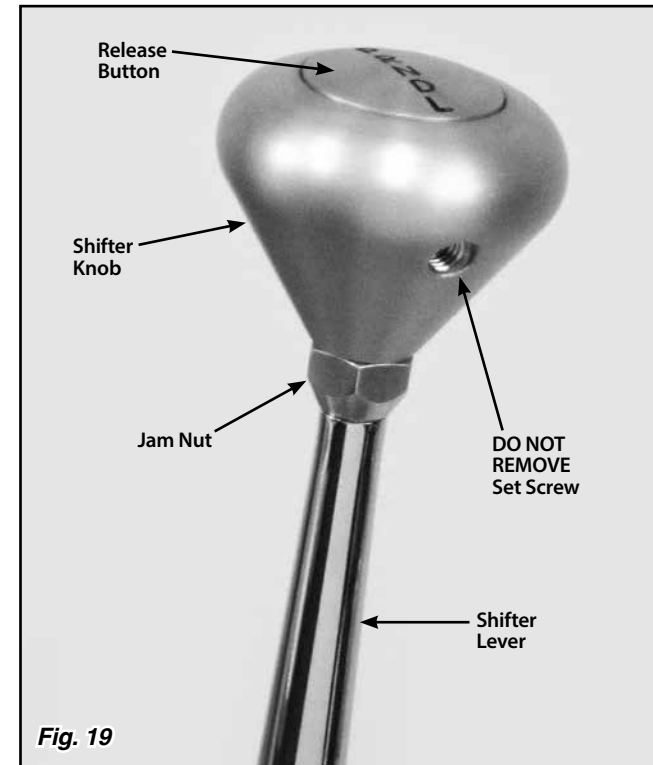


Fig. 19