



QUALITY... PLAIN & SIMPLE®

Throttle/Kickdown Cable Mounting Bracket Installation Instructions For Stromberg® Style Carburetor

General Installation Notes:

Please read these instructions completely before beginning the installation. If you have any questions, please call.

Before beginning the installation, disconnect the negative battery cable and use wheel chocks to block the vehicle's wheels.

Make sure the engine, transmission, body and frame are properly grounded. We recommend using anti-seize lubricant on all aluminum threads.

Refer to Fig. 1 for the component names.

The Lokar Throttle/Kickdown Cable Mounting Bracket is designed to be installed with a Lokar Throttle Cable and Lokar Kickdown Kit (if applicable), available separately. These instructions are for Stromberg 97®, Speedway 9 Super 7®, Ford/Holley 94 and Edelbrock 94 carburetors with a 3-bolt base.

Additional items required for installation, not included: Two (2) carburetor base gaskets; a 1/4" diameter bolt (length varies by application); and a matching 1/4" nylock nut.

Step 1:

Remove the rear carburetor from the intake manifold. Clean the carburetor mounting surface on both the intake manifold and the carburetor, and place a new carburetor base gasket (not included) onto the intake manifold.

Step 2:

Place the Throttle Cable Bracket on top of the new carburetor base gasket, with the upper and lower tabs on the driver side. Place another new carburetor base gasket (not included) on top of the Throttle Cable Bracket. **Fig. 2**

Step 3:

Reinstall the rear carburetor. If you are using a Lokar Kickdown Kit, attach the tear drop to the throttle arm on the carburetor directly in front of the rear carburetor, following the instructions that came with the Lokar Kickdown Kit. Then, proceed to **Step 4**.

If the throttle arm on the carburetor directly in front of the rear carburetor does not already have a provision for connecting the throttle return springs, attach the tear drop to the bottom of that throttle arm. The connection method will vary according to your particular application. The tear drop is designed to be attached to the throttle arm using a 1/4" diameter bolt (not included, length varies by application) and matching nylock nut (not included).

Throttle/Kickdown Cable Mounting Bracket Installation Instructions For Stromberg® Style Carburetor

Building American Quality... With A Lifetime Warranty!®

TOLL FREE 1-877-469-7440 • tech@lokar.com • www.lokar.com

(Step 3 continued):

Snug down the nylock nut on the tear drop, and then back it off just enough so that the tear drop can rotate freely.

Step 4:

Install the throttle return springs. They are designed to connect to the tear drop on the carburetor throttle arm and to the lower tab on the Throttle Cable Bracket. Make sure the longer hooks on the springs are connected to the tear drop, as shown in **Fig. 3**. Rotate the throttle to wide open and make sure the springs do not come in contact with the intake manifold or any other parts at any time.

Step 5:

Read the installation instructions for the Throttle Cable (not included) and Kickdown Kit (if applicable, not included) before going any further.

Step 6:

Proceed with the Throttle Cable and/or Kickdown Kit installation, following the instructions that came with those products. If you are installing a Lokar Kickdown Kit, the kickdown mounting bracket (not included) must be installed onto the throttle cable bracket before installing the Throttle Cable.

The Throttle Cable will be installed into the larger of the two holes in the upper tab of the Throttle Cable Bracket. The smaller hole on the upper tab is for attaching the kickdown mounting bracket (if applicable).

See **Fig. 3** for a completed installation with no kickdown cable, and **Fig. 4** for a completed installation with a Lokar Kickdown Kit.

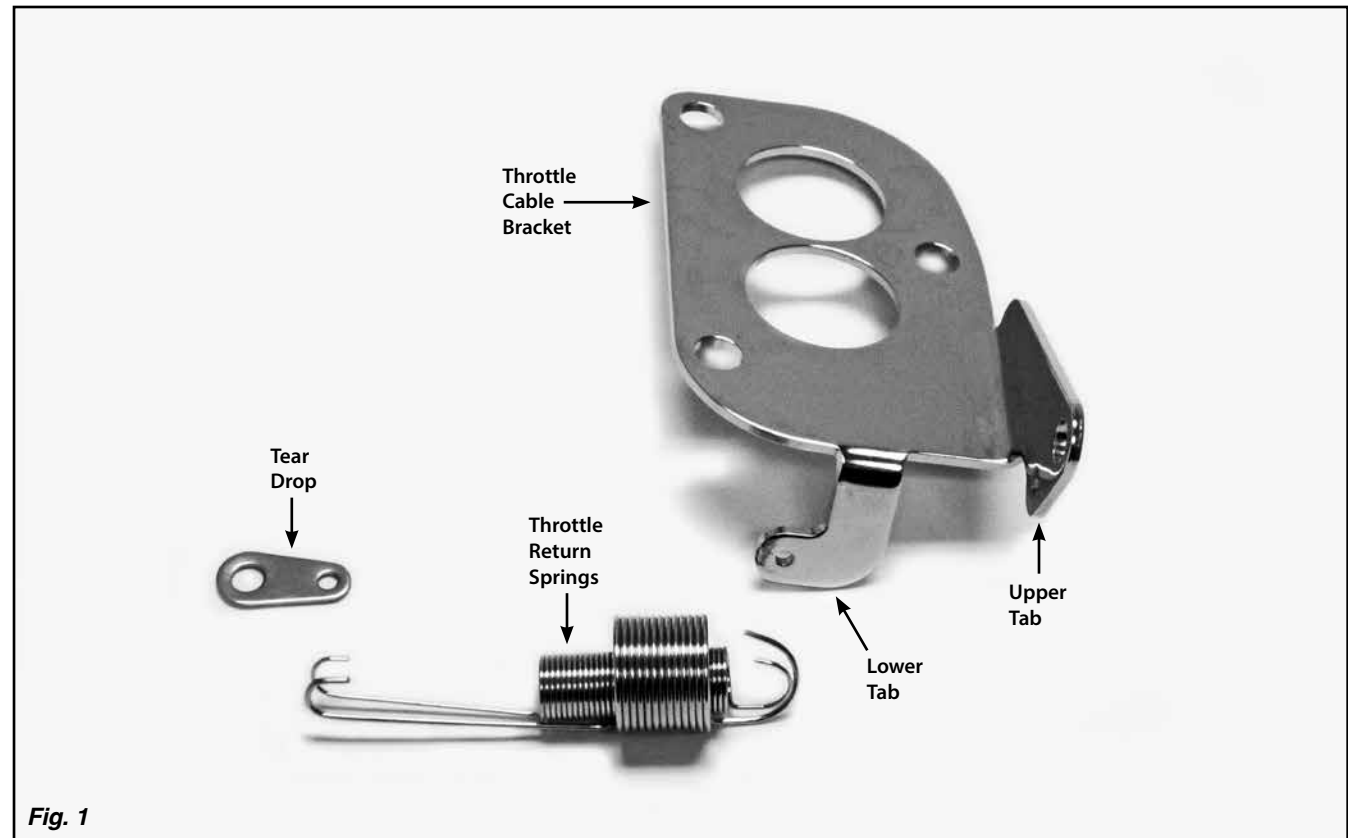
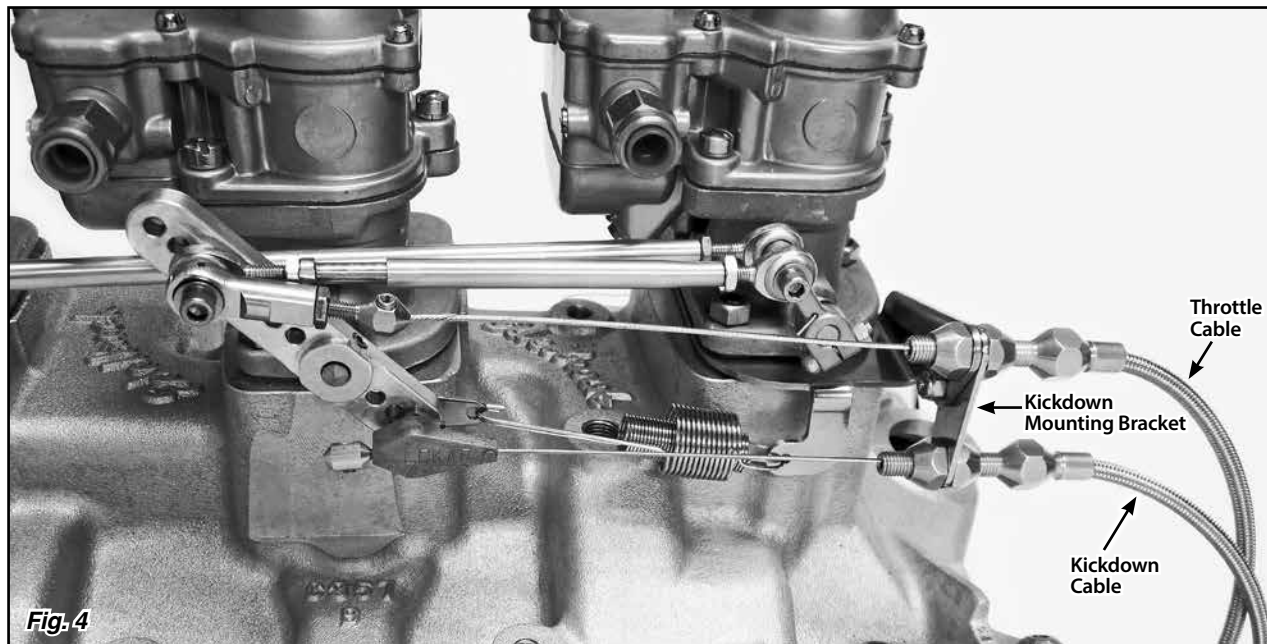
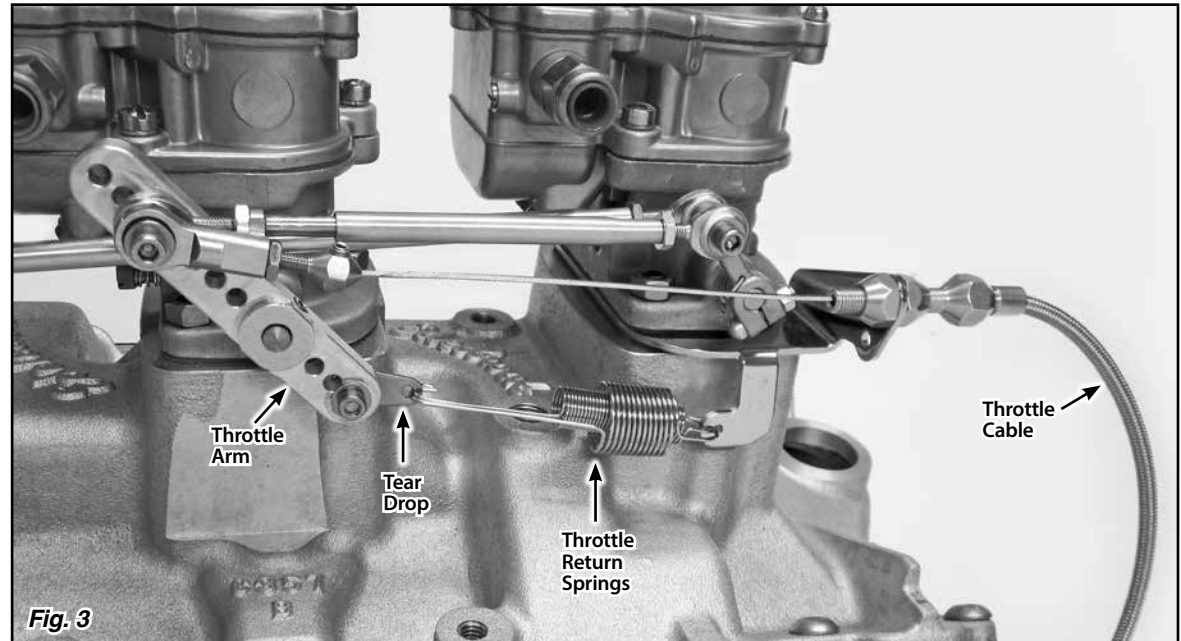
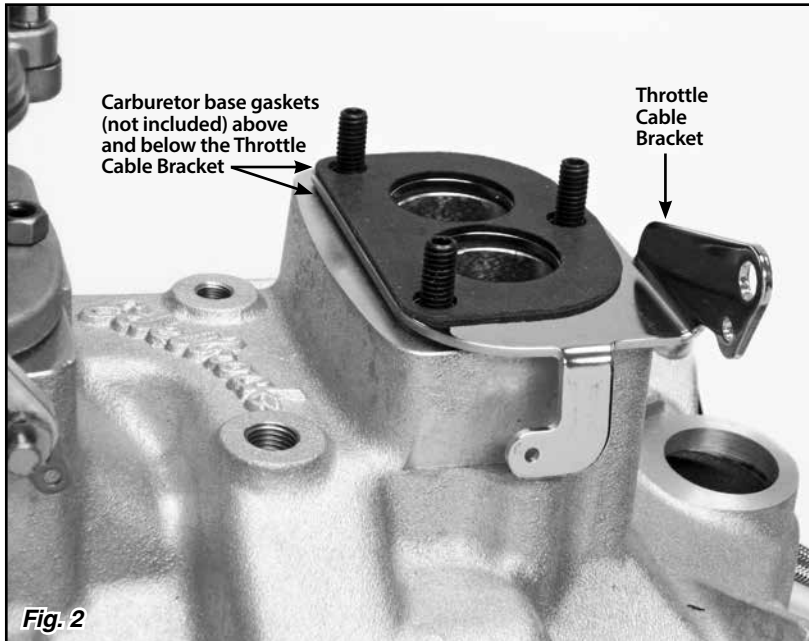


Fig. 1

Throttle/Kickdown Cable Mounting Bracket Installation Instructions for Stromberg® Style Carburetors



Throttle Cable and Kickdown Cable not included. Both are available separately. The Kickdown Mounting Bracket is part of the Kickdown Kit.

Speedway Motors' 9 Super 7® Carburetors and Linkage shown in photos.